

## 10 inch Subwoofer

- **High Excursion**
- **Very Low Distortion**
- **No Stray Magnetic Fields**

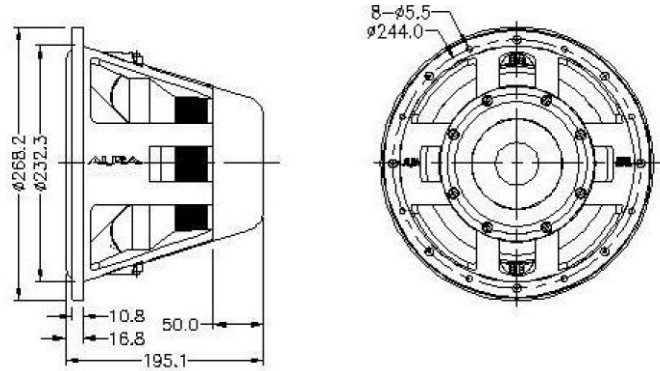
Nominal Diameter .....10 inches (268 mm)  
 Nominal Impedance (Z) ..... 4 ohms  
 Sensitivity, 1W/1m (E) ..... 83 dB @ 200 Hz  
 Power Capacity, RMS (Pe) ..... 400 W  
 Power Capacity, Peak ..... 1600 W  
 Frequency Range (-10dB) ..... Fo - 1.5 kHz  
 Minimum Impedance ..... 5 ohms  
 Voice Coil Diameter ..... 79.4 mm  
 Voice Coil Winding Length (h) ..... 15.4 mm  
 Voice Coil Number of Layers (n) ..... 1  
 Voice Coil Former Material ..... Glass composite  
 Voice Coil Wire Composition ..... Aluminum Ribbon  
 Magnetic Material ..... Neodymium radial  
 Stray Flux Shielding ..... Inherent  
 Magnetic Gap Depth (He) ..... 38.1 mm  
 Cone Material ..... Aluminum  
 Surround Material ..... Injecton molded rubber  
 Polarity, Outward Motion ..... Positive voltage on (+) termin  
 Net Weight ..... 7.7 kg  
 Maximum Excursion ..... 54 mm peak to peak

### Thiele / Small Parameters

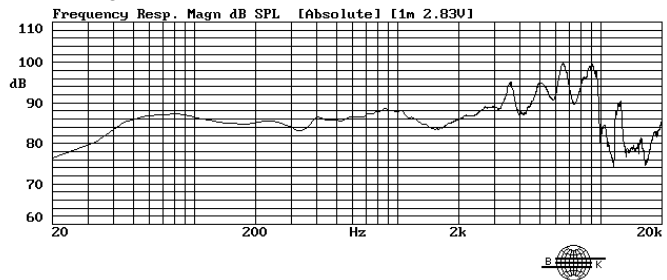
Resonant Frequency (Fo) - Fs ..... 32 Hertz  
 Voice Coil DC Resistance - Re ..... 3.6 ohms  
 Total Q - Qts ..... 0.4  
 Mechanical Q - Qms ..... 7.8  
 Electrical Q - Qes ..... 0.42  
 Equivalent Volume of Air - Vas ..... 33 L  
 Radiating Piston Area - Sd ..... 317 cm<sup>2</sup>  
 Xmax ..... 30 mm peak to peak

### Electrical / Mechanical Parameters

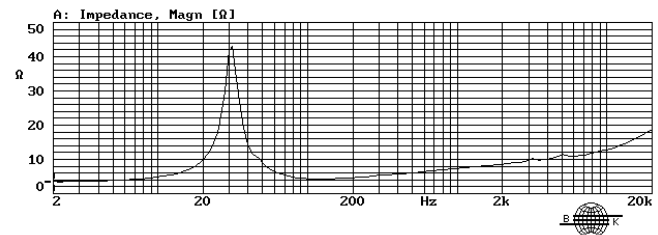
Flux Density x Length - BL ..... 13 Tesla-meters  
 Compliance - Cms ..... 236 μm/N  
 Total Mass - Mms ..... 103 grams



### Frequency Response (1W, 1m)



### Impedance



### Distortion (1W, 1m)

